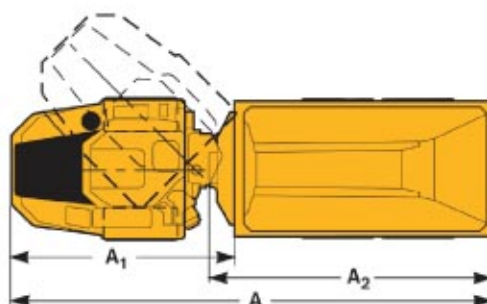
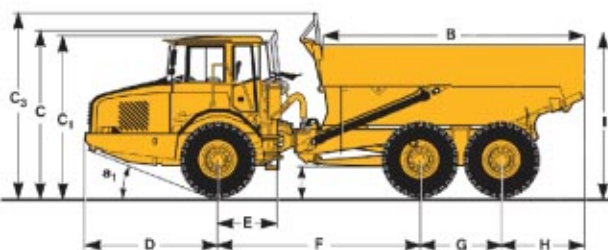


DIMENSIONS



WEIGHTS

Operating weight unloaded

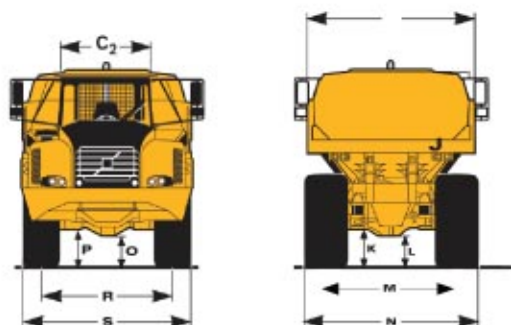
Front	19 170 kg
Rear	49 100 kg
Total	28 300 kg
Payload	35 000 L

Total weight

Front	17 770 kg
Rear	43 030 kg
Total	60 800 kg

mm

A	11200
A ₂	6600
B	5900
C	4000
C ₁	3580
C ₂	1325
C ₃	3360
D	2950
E	1700
F	4500
G	1800
H	1900
I	4060
J	2660
K	580
L	670
M	2500
N	3200
O	520
P	670
Q	600
R	2530
S	3220



LOAD CAPACITY

Standard body

Load capacity	35 000 L
---------------	----------

SPECIFICATIONS

Model	Volvo A35C
Max power at	1800 rpm
SAE J1995 Gross	289 kW
Max torque at	1200 rpm
SAE J1995 Gross	1950 Nm
SAE J1349 Net, DIN 6271	1915 Nm

CAPACITIES

Fuel tank	480 litres
Hydraulic tank	250 litres

SHERRIN Rentals

BRISBANE • DARWIN • TOOWOOMBA • SUNSHINE COAST

132 138

Email - info@sherrinrentals.com.au Web - www.sherrinrentals.com.au

35000 Litre Water Truck