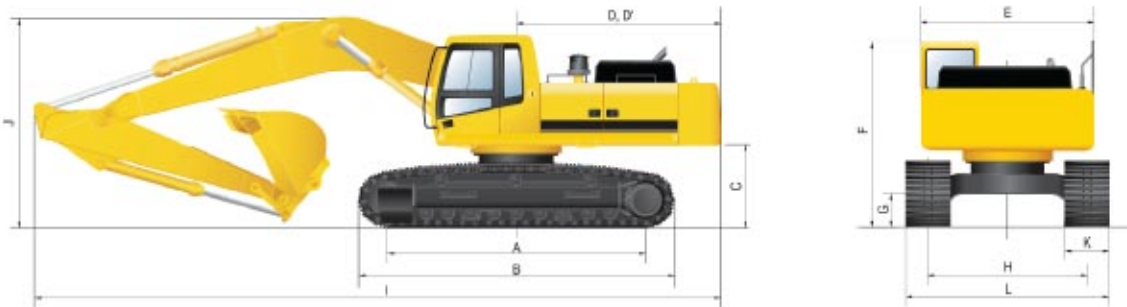


CONTROL

Pilot pressure operated joysticks and pedals with detachable lever provide almost effortless and fatigueless operation.

Pilot control	Two joysticks with one safety lever (LH): Swing and arm, (RH): Boom and bucket (ISO)
Traveling and steering	Two levers with pedals
Engine throttle	Electrical, Dial type
Lights	Two lights mounted on the boom and one under the battery box

DIMENSIONS



	mm		mm
Boom length	7060	K Track shoe width	600
Arm length	3380	L Overall width - transport/working	3540/2990
I Overall length	11 980	D,D Tail swing	3720
J Overall height of boom	3670		

SPECIFICATIONS

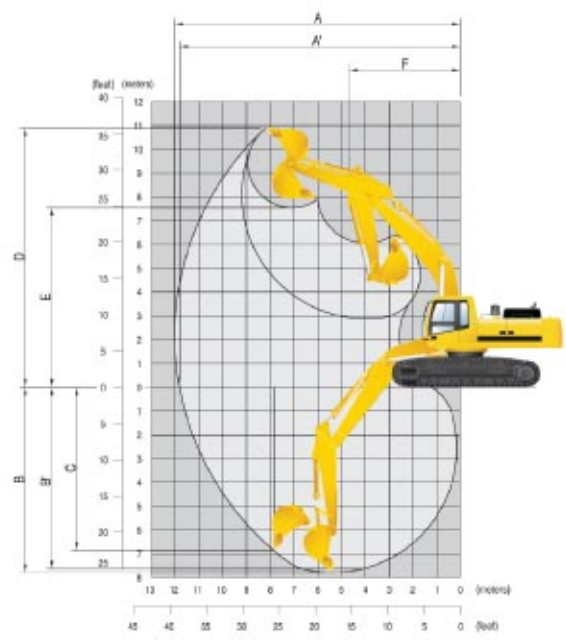
Diesel engine	Water-cooled
Model	Hyundai R500LC
Fuel tank capacity	610 litres
Hydraulic tank	250 litres
Fuel consumption rate (av. 75-85% full capacity)	31-34 litres/hour

PERFORMANCE

Gradeability	35 / 70%
Bucket Digging Force	29.8 tonne
Operating weight	48 800 kg
Ground pressure	11.94 PSI

BUCKET ATTACHMENTS

Quick hitch	Yes
Mud	2200 mm
General purpose	1800 mm
Ripper	Yes



WORKING RANGES

	mm
A Max. digging reach	12 100
A' Max. digging reach on ground	11 870
B Max. digging depth	7610
C Max. vertical wall digging depth	6380
D Max. digging height	11 120
E Max. dumping height	7750
F Min. swing radius	4830

SHERRIN Rentals

BRISBANE • DARWIN • TOOWOOMBA • SUNSHINE COAST

132 138

Email - info@sherrinrentals.com.au Web - www.sherrinrentals.com.au

50 Tonne Excavator