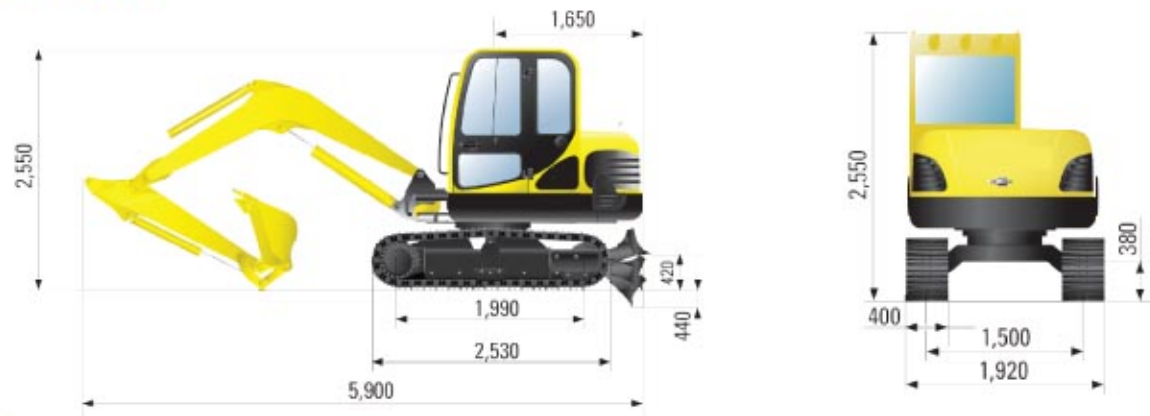


**CONTROL** Pilot pressure operated joysticks and pedals with detachable lever provide almost effortless and fatigueless operation.

Pilot control	Two joysticks with one safety lever (LH): Swing and arm, (RH): Boom and bucket (ISO)
Travelling and steering	Two levers with pedals
Engine throttle	Electrical, Cable type
Lights	Two lights mounted on the boom and one below the cab
Slew boom, blade and tilt mud bucket. Hammer available.	

**DIMENSIONS**



**SPECIFICATIONS** (Canopy, Rubber Tracked, Breaker Pippings Standard Fops/Tops Canopy, Standard Arm)

Diesel engine	Water-cooled
Model	Yanmar 4TNV94L
Fuel tank capacity	120 litres
Hydraulic tank	70 litres
Operating weight	5700 kg
Ground pressure	0.33 kgf/cm <sup>2</sup>

<b>OVERALL DIMENSION (mm)</b>	
Length (in transport)	5900 mm
Width	1920 mm
Height	2550 mm
Min. ground clearance	380 mm

<b>BUCKET ATTACHMENTS</b>	
Quick hitch	Yes
Hitch pick up	165 mm
Mud	1150 mm
Trench	450 mm
General purpose	700 mm
Rock hammer	Yes

<b>PERFORMANCE</b>	
Gradeability	35° / 70%
Max. dig power bucket	1040 Kgf
Max. dig power arm	675 Kgf

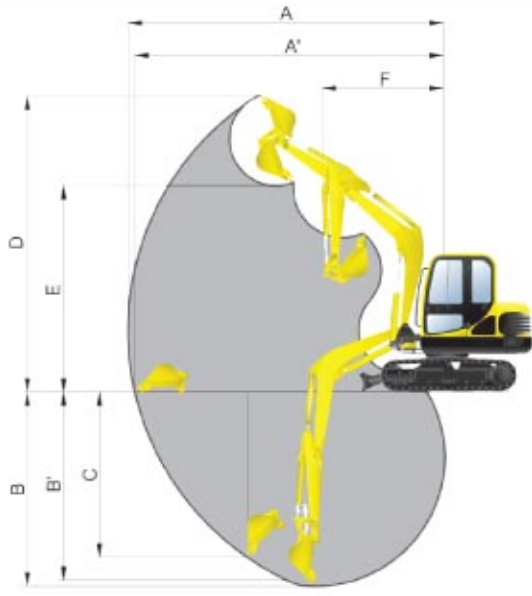
<b>DOZER BLADE (mm)</b>	
Width x Height	680 x 200 mm
Operating range up/down	155 x 120 mm

<b>OFF-SET DIG FUNCTION</b>	
Type	Boom Swing
Swing angle RH / LH	90° / 90°

<b>TRACTION SYSTEM (mm)</b>	
Crawler type	Rubber Track
Crawler shoe width	180 mm

**WORKING RANGES**

	mm
Max. digging reach	6150
Max. digging reach at ground	6010
A Max. digging depth	3820
B Max. vertical wall digging depth	3200
B' Max. digging height	5780
C Max. dumping height	4050
D Min. front radius	2350



**SHERRIN**  
**Rentals**  
 BRISBANE • DARWIN • TOOWOOMBA • SUNSHINE COAST  
**132 138**  
 Email - info@sherrinrentals.com.au Web - www.sherrinrentals.com.au

**5 Tonne Excavator**