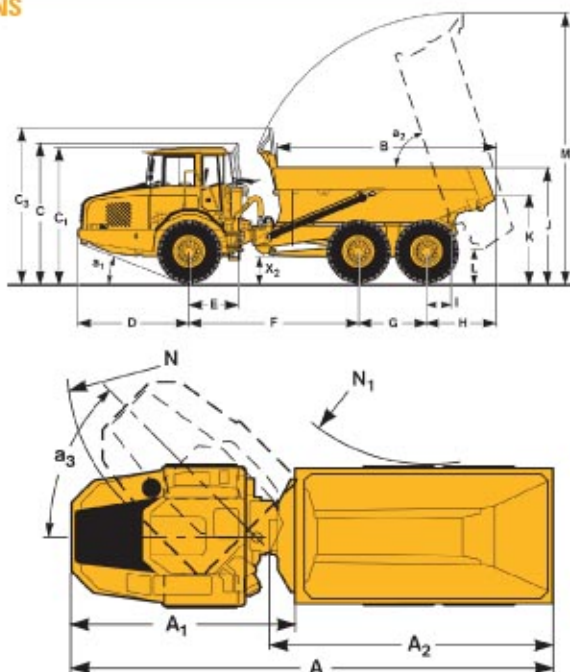


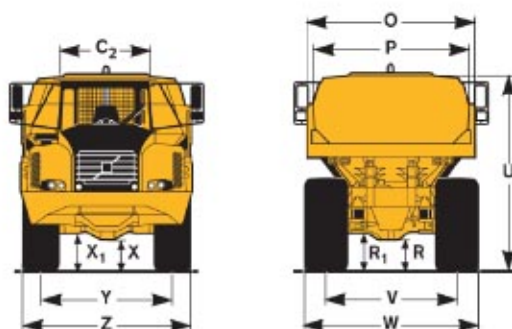
## DIMENSIONS



	mm
A	10 220
A <sub>1</sub>	4954
A <sub>2</sub>	5764
B	5152
C	3428
C <sub>1</sub>	3318
C <sub>2</sub>	1768
C <sub>3</sub>	3760
D	2764
E	1210
F	4175
G	1670
H	1610
I	608
J	2778
K	2102
L	677
M	6559
N	8105
N <sub>1</sub>	4079
O	2700
P	2490
R	512
R <sub>1</sub>	634
U	3257
V	2258
V*	
W	2859
W*	
X	456
X <sub>1</sub>	581
X <sub>2</sub>	659
Y	2258
Y*	
Z	2859
Z*	
a <sub>1</sub>	23.5°
a <sub>2</sub>	74°
a <sub>3</sub>	45°

## WEIGHTS

	Operating weight unloaded	Total weight
Front	12 160 kg	14 140 kg
Rear	9 400 kg	31 420 kg
Total	21 560 kg	45 560 kg
Payload	24 000 kg	



## LOAD CAPACITY

Standard body	
Load capacity	24 000 kg
Body, struck	11.7 m <sup>3</sup>
Body, heaped	15.0 m <sup>3</sup>
With underhungtailgate	
Body, struck	12.0 m <sup>3</sup>
Body, heaped	15.3 m <sup>3</sup>
With overhung tailgate	
Body, struck	12.1 m <sup>3</sup>
Body, heaped	15.6 m <sup>3</sup>

## SPECIFICATIONS

Model	Volvo A25D
Max power at	2100 rpm
SAE J1995 Gross	224 kW
Max torque at	1200 rpm
SAE J1995 Gross	1700 Nm
SAE J1349 Net, DIN 6271	1689 Nm

## CAPACITIES

Fuel tank	400 litres
Hydraulic tank	175 litres

# SHERRIN Rentals

BRISBANE • DARWIN • TOOWOOMBA • SUNSHINE COAST

## 132 138

Email - info@sherrinrentals.com.au Web - www.sherrinrentals.com.au

# 25 Tonne Dump Truck